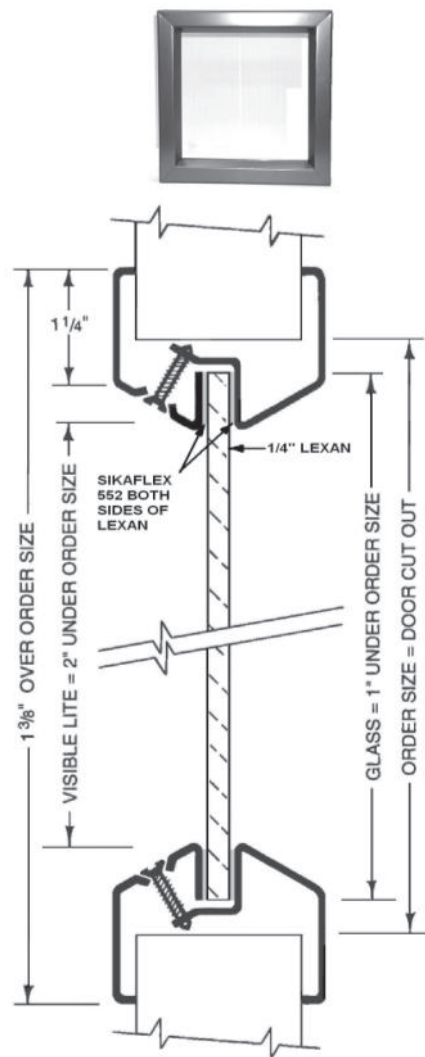




Beveled Vision Lite With Continuous Glass Retainer. Recommended for Applications Requiring Safety From Wind-Borne Debris. Includes Tested and Approved Lexan Glazing and Caulking

SPECIFICATIONS:

Material:	20 gauge CRS frame. Min size 3" x 3", max 22-5/8 x 60-5/8". See Fire Rating Below
Construction:	1-1/4" trim with mitered and welded corners, beveled return, continuous glass retainer, countersunk mounting holes. Screws fasten from room side into pre-punched mounting holes. This mounting method leaves corridor side of frame free of fasteners for aesthetic and security purposes.
Powder Coat Finishes:	____ (B) Mineral Bronze (standard color) ____ (BK) Black ____ (FBK) Flat Black ____ (W) White ____ (SB) SC Beige ____ (SA) Satin Aluminum ____ (R) Red ____ (S) Sand ____ (AB) AMS Beige ____ (G) Gray Primer ____ (GH) Gray Hammertone Color Samples Online
Door:	For 1-3/4" door.
Fasteners:	#8 x 7/8" flathead phillips SMS
Glass:	1/4" thick clear LEXAN (Not a fire-rated glazing) Glass size is 1" under order size.
Caulking :	SIKAFLEX 552 on each side of LEXAN
LEXAN and Caulking included with Vision Frame	




**Florida Building Code Approval
File # FL13187**

OPTIONS AT ADDITIONAL COST:


Finishes & Materials:	____ (S) 22 Gauge Stainless Steel: #4 Finish. ____ (G) Galvanized Sheet for Exterior Applications. ____ (EG) Electro Zinc Plating for Maximum Corrosion Resistance. ____ Optional colors. Please provide color chip & contact Customer Service.
Mullions:	Factory welded to vision lite & painted. See VSL-G Page in this section to order.
Fasteners:	____ Torx ____ Hex head ____ Other: _____

Severe Windstorm Approved Vision Frame
 Tested in Accordance with W/N 14475
 ASTM E330, ASTM E1886, ASTM E1996
 ANSI A250.13,
 TAS 203, 201, 202
 Impact (ft lb) 350
 Missile Level D, DP Rating (PSF) 55



Order Format: VLFEZ-HRC _____ **Example: VLFEZHRC 1212S**
 Option S,G,EG W H Color

Interpretation of Fire and Building Codes May Vary. Consult with the Local Authority Having Jurisdiction (AHJ) to determine appropriate standards.

	Distributor: _____	Width: _____ x Height: _____
	Architect: _____	Quantity: _____
	Contractor: _____	Model: _____
	Project: _____	Date: _____ Version: ALSPDS1001
HDQTRS:4450 WEST 78 TH ST CIR., BLOOMINGTON, MN 55435-5416 PH: 800-554-6077 FAX: 952-835-2218 EMAIL: SALES@AIRLOUVERS.COM VISIT WWW.ACTIVARCPG.COM FOR THE MOST UPDATED PRODUCT INFORMATION • AN ACTIVAR CONSTRUCTION PRODUCTS COMPANY ACPG WEST COAST (AIR LOUVERS MANUFACTURING):COMMERCE CA • WAREHOUSES:LANCASTER PA, ATLANTA GA, CHICAGO IL , Bloomington MN		