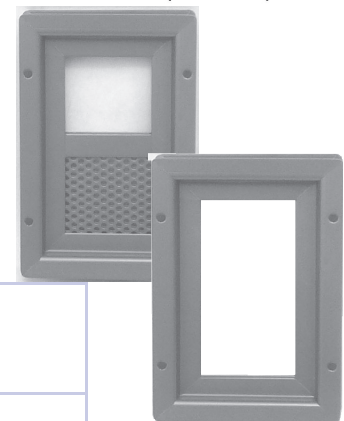
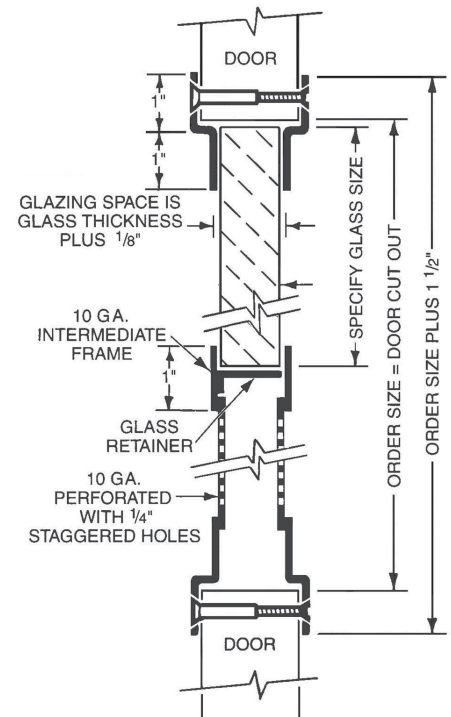


Security & Detention Vision Frame - Optional Speaker Port. Accommodates Glazing 1/4-1-1/2" Including ArmrShield Bullet-Resistant Glass

SPECIFICATIONS:

Material:	10 gauge CRS frame and 10 gauge perforated steel panel. Min size 4" x 4", Max 60" x 104". See Fire Rating Below.
Construction:	1-1/4" trim with mitered and welded corners and countersunk mounting holes. 1" continuous glazing retainer.
Door:	For 1 to 3" thick door. Specify door thickness: _____
Powder Coat Finishes:	<input type="checkbox"/> (B) Mineral Bronze (standard color) <input type="checkbox"/> (BK) Black <input type="checkbox"/> (FBK) Flat Black <input type="checkbox"/> (W) White <input type="checkbox"/> (R) Red <input type="checkbox"/> (SB) SC Beige <input type="checkbox"/> (SA) Satin Aluminum <input type="checkbox"/> (S) Sand <input type="checkbox"/> (AB) AMS Beige <input type="checkbox"/> (GH) Gray Hammertone <input type="checkbox"/> (G) Gray Primer Color Samples Online
Fasteners:	#8 x 32 Torx head security binder bolt with blank head one side.
Glass:	<p>_____ " Glass Thickness Will Be Used for this Order.</p> <p>1/4" - 1-1/2" glazing to be ordered separately from Glazing Section of catalog. Use fire rated glazing with Warnock Hersey (WHI) or UL classification markings for fire rated applications. Visible light is 2-1/2" under rough opening size. Specify glass above. Glass is 1/4" under order size. If glazing is being provided by a supplier other than Air Louvers, coordinate with the supplier to ensure compatibility with IG kits.</p> <p>Air Louvers Glazing to fit this vision frame: WS, PYRO, KFRL, DFRFU, SWISS 45, 60, 90, CONTRA 60, 90, ARMRSIELD, LGSHIELD.</p>
Fire-Rating, Testing & Listings:	When installed in properly rated and approved door, ratings up to 3 hours can be achieved, depending on the glazing used. See glazing ratings for max exposed area. Tested and Listed for UL 10C and Criteria of UBC 7-2 Positive Pressure.



S10SP With & Without Optional Speaker Panel

OPTIONS AT ADDITIONAL COST:



Finishes & Materials:	<input type="checkbox"/> (G) Galvanized Sheet for Exterior Applications. <input type="checkbox"/> (EG) Electro Zinc Plating for Maximum Corrosion Resistance. <input type="checkbox"/> Optional colors. Please provide color chip & contact Customer Service.
Fasteners:	<input type="checkbox"/> Hex head <input type="checkbox"/> Other: _____
Speaker Panel:	<input type="checkbox"/> (S10SP) 10 gauge CRS frame and 10 gauge perforated steel speaker panel with staggered holes. Speaker panel not fire, or pressure-rated.
Custom:	Smaller or larger sizes, or other options. Contact Customer Service for special orders.

Order Format: VLFS10

Option G,EG W H Color Glass Thickness

Example: VLFS10 1212G 1"

Interpretation of Fire and Building Codes May Vary. Consult with the Local Authority Having Jurisdiction (AHJ) to determine appropriate standards.

	Distributor: _____	Width: _____ x Height: _____
	Architect: _____	Quantity: _____
	Contractor: _____	Model: _____
	Project: _____	Date: _____ Version: ALSPDS1001
<p>HDQTRS: 4450 WEST 78TH ST CIR., BLOOMINGTON, MN 55435-5416 PH: 800-554-6077 FAX: 952-835-2218 EMAIL: SALES@AIRLOUVERS.COM</p> <p>VISIT WWW.ACTIVARCPG.COM FOR THE MOST UPDATED PRODUCT INFORMATION • AN ACTIVAR CONSTRUCTION PRODUCTS COMPANY</p> <p>ACPG WEST COAST (AIR LOUVERS MANUFACTURING): COMMERCE CA • WAREHOUSES: LANCASTER PA, ATLANTA GA, CHICAGO IL, Bloomington MN</p>		