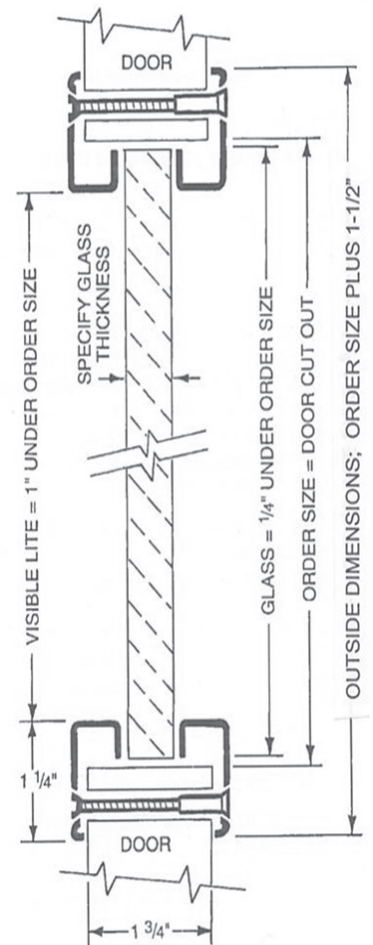
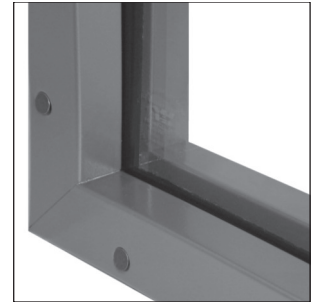


STANDARD VISION LITE FOR 1/4" - 1-1/2" GLASS & UP TO 3" DOOR: VLFIG V9

Square Profile Vision Lite for Glass Thicker than 5/16" - Recommended for Applications Requiring Fire-Rated, Safety, and/or Insulated Glazing up to 1-1/2" Thick

SPECIFICATIONS:

Material:	18 gauge CRS frame. Min. size 3" x 3", max 60" x 104". See Fire Rating Below.
Construction:	1-1/4" trim with mitered and welded corners, square return with countersunk mounting holes.
Door:	For 1" - 3" thick. Specify door thickness: _____
Fasteners:	#8 x 32 flathead Phillips head thru-bolts with blank head one side.
Powder Coat Finishes:	____ (B) Mineral Bronze (standard color) ____ (BK) Black ____ (FBK) Flat Black ____ (W) White ____ (SB) SC Beige ____ (SA) Satin Aluminum ____ (R) Red ____ (S) Sand ____ (G) Gray Primer ____ (AB) AMS Beige ____ (GH) Gray Hammertone Color Samples Online
Glass:	_____" Glass Thickness Will Be Used for this Order 5/16" - 1-1/2" glazing to be ordered separately from Glazing Section of catalog. Use fire rated glazing with Warnock Hersey (WHI) or UL classification markings for fire rated applications. Visible light is 2" under rough opening size. <u>Glass size is 1/4" under order size.</u> Must specify glass thickness above. If glazing is being provided by a supplier other than Air Louvers, coordinate with the supplier to ensure compatibility with IG kits. Fire-Rated Air Louvers Glazing to fit this vision frame: WS, UL PYRO, KFRF, KFRF, KFRFU, SWISS45, SWISS60, SWISS90, CONTRA60, CONTRA90, ARMRSIELD, LGSHIELD.
Fire-Rating, Testing & Listings:	When installed in properly rated and approved door, ratings up to 3 hours can be achieved, depending on the glazing used. See glazing ratings for max exposed area. Tested and Listed for UL 10C and Criteria of UBC 7-2 Positive Pressure.



OPTIONS AT ADDITIONAL COST:



UBC 7-2 Installation:	____ Additional intumescent tape for Positive Pressure UL10C 20 minute combustible core wood doors installation. See detailed installation instructions.
Finishes & Materials:	____ (S) 18 Gauge Stainless Steel: #4 Finish. ____ (G) Galvanized Sheet for Exterior Applications. ____ (EG) Electro Zinc Plating for Maximum Corrosion Resistance. ____ Optional colors. Please provide color chip & contact Customer Service.
Mullions:	Factory welded to vision lite & painted. See VSL-G Page in this section to order.
Fasteners:	____ Torx ____ Hex head ____ Other: _____
Custom:	PAK, smaller or larger sizes. Leadlined. Consult Customer Service for Special orders.

Order Format: VLFIG

Option
 S,G,EG W H Color Glass Thickness

Example: VLFIG 1227 BK 1"

Interpretation of Fire and Building Codes May Vary. Consult with the Local Authority Having Jurisdiction (AHJ) to determine appropriate standards.

	Distributor:	Width: _____ x Height: _____
	Architect:	Quantity:
	Contractor:	Model:
	Project:	Date: _____ Version: ALSPDS1001
HDQTRS:4450 WEST 78 TH ST CIR., BLOOMINGTON, MN 55435-5416 PH: 800-554-6077 FAX: 952-835-2218 EMAIL: SALES@AIRLOUVERS.COM VISIT WWW.ACTIVARCPG.COM FOR THE MOST UPDATED PRODUCT INFORMATION • AN ACTIVAR CONSTRUCTION PRODUCTS COMPANY ACPG WEST COAST (AIR LOUVERS MANUFACTURING):COMMERCE CA • WAREHOUSES:LANCASTER PA, ATLANTA GA, CHICAGO IL , Bloomington MN		