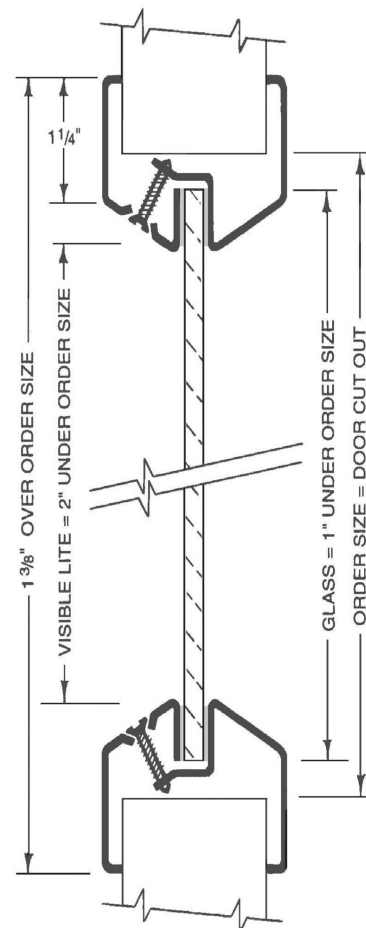


Self-Attaching, Beveled Vision Lite with Single Side Fasteners For Fire Rated Doors for 3/16" to 1/4" Glass

**SPECIFICATIONS:**

<b>Material:</b>	20 gauge CRS frame. Min Size 3" x 3", Max 60" x 104". See Fire Rating Below.
<b>Construction:</b>	1-1/4" trim, with mitered and welded corners. Continuous glass retainer, counter-sunk mounting holes in the bevel on non-corridor side.
<b>Door:</b>	For 1-3/4" door. For other sizes, see VLFIG and VLFEZIG.
<b>Fasteners:</b>	#8 x 7/8" flathead phillips SMS
<b>Powder Coat Finishes:</b>	<input type="checkbox"/> (B) Mineral Bronze <input type="checkbox"/> (G) Gray Primer (stock colors) <input type="checkbox"/> (BK) Black <input type="checkbox"/> (FBK) Flat Black <input type="checkbox"/> (W) White <input type="checkbox"/> (SB) SC Beige <input type="checkbox"/> (SA) Satin Aluminum <input type="checkbox"/> (R) Red <input type="checkbox"/> (S) Sand <input type="checkbox"/> (AB) AMS Beige <input type="checkbox"/> (GH) Gray Hammertone <b>Color Samples Online</b>
<b>Glass:</b>	3/16" - 1/4" glazing to be ordered separately from <b>Glazing Section</b> of catalog. Use fire rated glazing with Warnock Hersey (WHI) or UL classification markings for fire rated applications. Visible light is 2" under rough opening size. <u>Glass is 1" under order size.</u> <b>Fire-Rated Air Louvers Glazing to fit this vision frame: WS, UL PYRO, PPF, KFRF.</b>
<b>Fire-Rating, Testing &amp; Listings:</b>	When installed in properly rated and approved door, ratings up to 3 hours can be achieved, depending on the glazing used. See glazing ratings for max exposed area. Tested and Listed for UL 10C and Criteria of UBC 7-2 Positive Pressure.



**OPTIONS AT ADDITIONAL COST:**



<b>PAK:</b>	Includes Vision Lite, Glass Sized to Fit, Applied Glazing tape for UL10B Installations, Securely Packaged Individually. <b>See First Page in Vision Lite Catalog.</b>
<b>UBC 7-2 Installation:</b>	<input type="checkbox"/> Additional intumescent tape for <b>Positive Pressure UL10C</b> 20 minute combustible core wood doors installation. See detailed installation instructions.
<b>Finishes &amp; Materials:</b>	<input type="checkbox"/> (S) 20 Gauge Stainless Steel: #4 Finish. <input type="checkbox"/> (G) Galvanized Sheet for Exterior Applications. <input type="checkbox"/> (EG) Electro Zinc Plating for Maximum Corrosion Resistance. <input type="checkbox"/> Optional colors. Please provide color chip & contact C.S.
<b>Fasteners:</b>	<input type="checkbox"/> Torx <input type="checkbox"/> Hex head <input type="checkbox"/> Other: _____
<b>Mullions:</b>	Factory welded to vision lite & painted. See <b>VSL-G</b> Page in this section to order.
<b>Custom:</b>	Smaller or larger sizes. Leadlined. Please consult Customer Service for special orders.
<b>VL3000:</b>	Approved large glass lite with standard wire glazing approved to 90 minutes. See info on website

**STOCK ITEM - MANY STANDARD SIZES OF VLFEZ IN STOCK FOR NEXT DAY SHIPMENT FROM ALL WAREHOUSES**

**Order Format: VLFEZ**

Option    S,G,EG    W    H    Color

**Example: VLFEZ 1212AMS**

Interpretation of Fire and Building Codes May Vary. Consult with the Local Authority Having Jurisdiction (AHJ) to determine appropriate standards.

	<b>Distributor:</b>	<b>Width:</b> _____ <b>x</b> <b>Height:</b> _____
	<b>Architect:</b>	<b>Quantity:</b>
	<b>Contractor:</b>	<b>Model:</b>
	<b>Project:</b>	<b>Date:</b> _____ <b>Version:</b> ALSPDS1001

HDQTRS:4450 WEST 78<sup>TH</sup> ST CIR., BLOOMINGTON, MN 55435-5416 PH: 800-554-6077 FAX: 952-835-2218 EMAIL: SALES@AIRLOUVERS.COM

VISIT **WWW.ACTIVARCPG.COM** FOR THE MOST UPDATED PRODUCT INFORMATION • AN ACTIVAR CONSTRUCTION PRODUCTS COMPANY

ACPG WEST COAST (AIR LOUVERS MANUFACTURING):COMMERCE CA • WAREHOUSES:LANCASTER PA, ATLANTA GA, CHICAGO IL , Bloomington MN