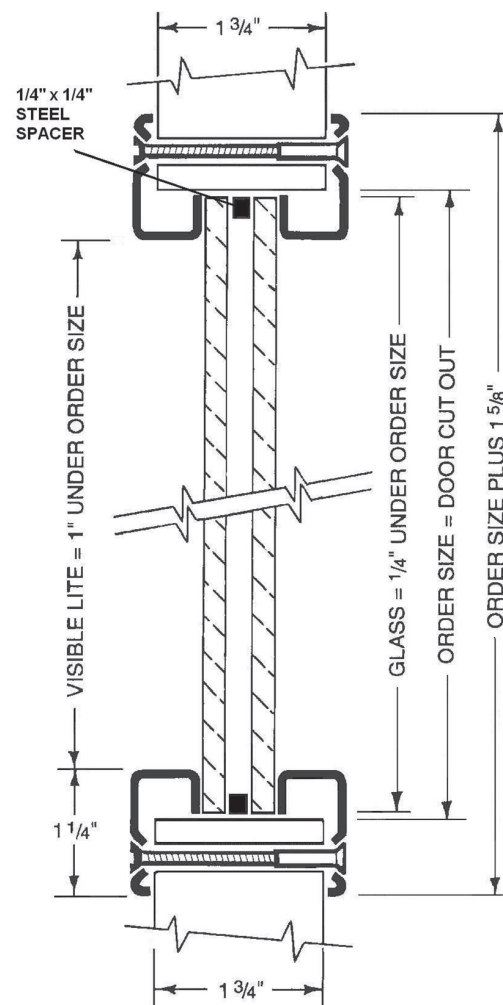


Recommended for Applications Where Two Lites of Glass are Required

SPECIFICATIONS:

| | |
|---|--|
| Material: | 18 gauge CRS frame. Min Size 3" x 3", max size 60" x 104". |
| Construction: | 1-1/4" trim with mitered and welded corners, square return with countersunk mounting holes, 1/4" x 1/4" continuous steel spacer provided. |
| Door: | For 1-3/4" door. |
| Fasteners: | #8 x 32 Phillips head thru bolts with blank head one side. |
| Powder Coat Finishes: | <input type="checkbox"/> (B) Mineral Bronze (standard color) <input type="checkbox"/> (G) Gray Primer <input type="checkbox"/> (BK) Black <input type="checkbox"/> (FBK) Flat Black <input type="checkbox"/> (W) White <input type="checkbox"/> (SB) SC Beige <input type="checkbox"/> (SA) Satin Aluminum <input type="checkbox"/> (R) Red <input type="checkbox"/> (S) Sand <input type="checkbox"/> (AB) AMS Beige <input type="checkbox"/> (GH) Gray Hammertone Color Samples Online |
| Glass: | 3/16"- 1/4" glazing to be ordered separately from Glazing Section of catalog. Use fire rated glazing with UL classification markings for fire rated applications. Visible light is 2" under rough opening size. <u>Glass is 1/4" under order size.</u> Fire-Rated Air Louvers Glazing to fit this Product: WS, UL, KFRF, PPF, PYRO. |
| Fire-Rating, Testing & Listings: | When installed in properly rated and approved door, ratings up to 3 hours can be achieved, depending on the glazing used. See glazing ratings for max exposed area. Tested and Listed for UL 10C and Criteria of UBC 7-2 Positive Pressure. |



OPTIONS AT ADDITIONAL COST:



| | |
|----------------------------------|---|
| UBC 7-2 Installation: | <input type="checkbox"/> Additional intumescent tape for Positive Pressure UL10C 20 minute combustible core wood doors installation. See detailed installation instructions. |
| Finishes & Materials: | <input type="checkbox"/> (S) 18 Gauge Stainless Steel: #4 Finish. <input type="checkbox"/> (G) Galvanized Sheet for Exterior Applications. <input type="checkbox"/> (EG) Electro Zinc Plating for Maximum Corrosion Resistance. <input type="checkbox"/> Optional colors. Please provide color chip to Customer Service. |
| Mullions: | Factory welded to vision lite & painted. See VSL-G Page in this section to order. |
| Fasteners: | <input type="checkbox"/> Torx <input type="checkbox"/> Hex head <input type="checkbox"/> Other: _____ |
| Custom: | PAK, smaller or larger sizes, leadlined. Consult Customer Service for Special Orders. |

Order Format: VLFDG

Option S,G,EG

W

H

Color

Example: VLFDG 1212 B

Interpretation of Fire and Building Codes May Vary. Consult with the Local Authority Having Jurisdiction (AHJ) to determine appropriate standards.

| | | |
|---|---------------------------|---|
| | Distributor: _____ | Width: _____ x Height: _____ |
| | Architect: _____ | Quantity: _____ |
| | Contractor: _____ | Model: _____ |
| | Project: _____ | Date: _____ Version: ALSPDS1001 |
| <p>HDQTRS:4450 WEST 78TH ST CIR., BLOOMINGTON, MN 55435-5416 PH: 800-554-6077 FAX: 952-835-2218 EMAIL: SALES@AIRLOUVERS.COM VISIT WWW.ACTIVARCPG.COM FOR THE MOST UPDATED PRODUCT INFORMATION • AN ACTIVAR CONSTRUCTION PRODUCTS COMPANY ACPG WEST COAST (AIR LOUVERS MANUFACTURING):COMMERCE CA • WAREHOUSES:LANCASTER PA, ATLANTA GA, CHICAGO IL , Bloomington MN</p> | | |