



6285 RANDOLPH STREET
 CITY OF COMMERCE, CA 90040
 (323) 726-8814 • FAX (323) 726-0338
 www.airlouvers.com

MODEL 700A



Model 700A

Inverted split "Y" blades features non-vision two piece design for wood or metal doors and wall applications.

Specifications

Standard Features:

Material: 18 gauge CRS frame and blades.

Construction: Mitered and welded corners, with countersunk mounting holes.

Door: Minimum 1³/₈" thick door.

Fasteners: #8 x ³/₄" phillips head screws.

Finish: Mineral bronze baked on powder coat.

Free Flow Area: 50% free area.

Options:

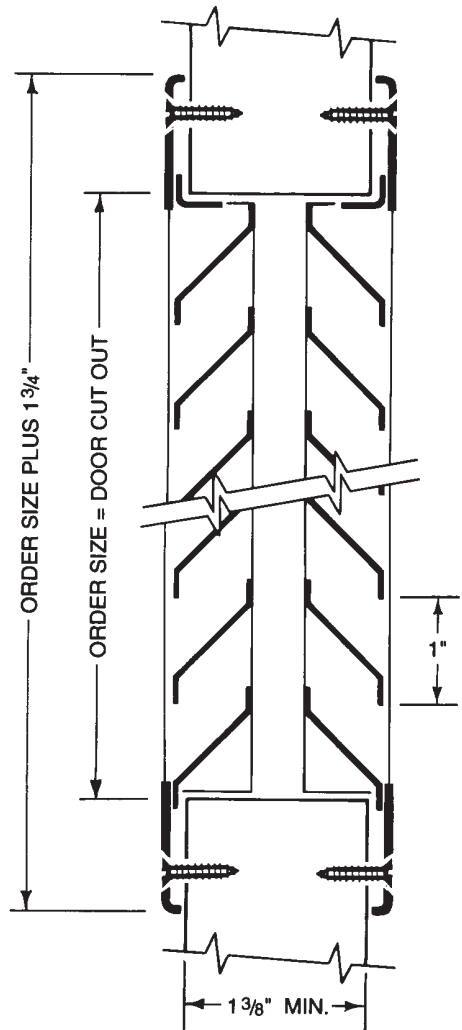
- Material:**
- 20 gauge #304 stainless steel - #4 finish
 - electro-galvanized steel
 - 16 gauge CRS
 -
 -

- Finish:**
- Baked on powder coat gray prime for field painting, no extra charge.
 - Special order colors. Please provide color chip.

- Fasteners:**
- #8 x 32 phillips head steel binder bolt with blank head one side.

- Screens:**
- 18-14 mesh insect screen installed in roll formed aluminum frame. Aluminum, bronze or fiberglass mesh available.

Size: _____ " wide x _____ " high _____ Quantity
 (door cut out size equals order size).



Distributor: _____
 Architect: _____
 Contractor: _____

Project: _____
 Location: _____
 Date: _____