

# AIR LOUVERS INC.

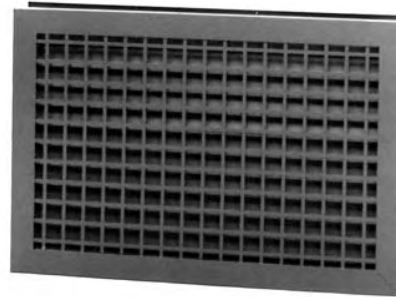
6285 RANDOLPH STREET  
CITY OF COMMERCE, CA 90040  
(323) 726-8814 • FAX (323) 726-0338  
www.airlouvers.com

## MODEL 1900-ASG FIRE RATED



### Model 1900-ASG

Door louver is listed by U.L. and WHI and is ideal for use in fire doors up to 1 1/2 hour rating for security applications.



## Specifications

### Standard Features:

**Material:** 16 gauge CRS frame and louver blades.

**Construction:** Mitered and welded corners; 10 Ga. security grille on exterior of louver with 13/16" square openings 1" on center; screws fastened through prepared frame into louver core; this mounting method leaves corridor side of frame free of fasteners for aesthetic and security purposes.

Adjustable blades of 16-gauge cold rolled steel pivot on cadmium-plated steel rivets. The blades are operated by a manual trigger. A spring-loaded fusible link mechanism is incorporated into the design. Upon melting of the link, the action bar is actuated thereby closing and locking all of the blades.

*Drilling holes in the door for installation is not required.*

**Finish:** Mineral bronze baked on powder coat.

**Door:** For 1 3/4" door.

**Fasteners:** #8 x 3/4" flathead phillips head SMS.

**Free Flow Area** 45% free area.

### Options:

**Material:**  #20 gauge stainless steel - #4 finish

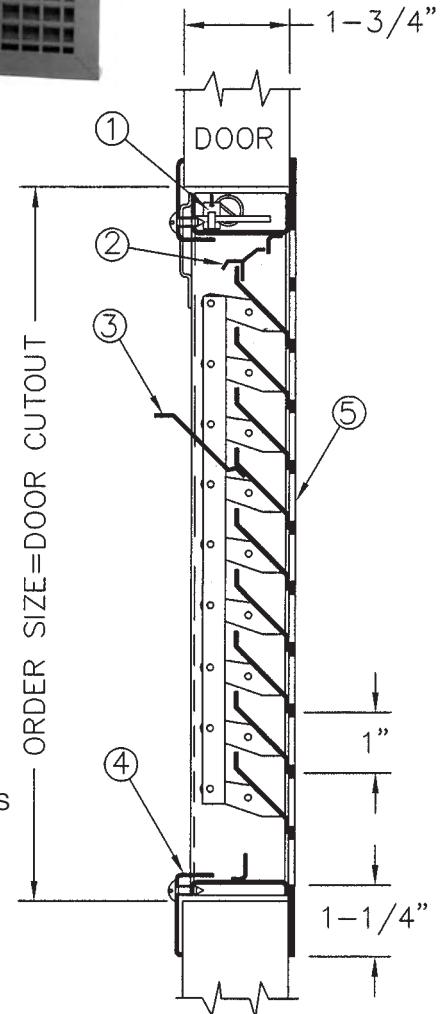
**Finish:**  Baked on powder coat gray prime for field painting, no extra charge.  
 Special order colors. Please provide color chip.

**Fasteners:**  Security fasteners, please specify \_\_\_\_\_

**Screen:**  18-14 mesh insect screen installed in roll formed aluminum frame. Aluminum, bronze or fiberglass mesh available.

Door Thickness:  
 For 1 3/8" door.

**Size:** \_\_\_\_\_ " wide x \_\_\_\_\_ " high \_\_\_\_\_ Quantity  
(door cut out size equals order size)



① HEAT-ACTUATED CLOSURE MECHANISM WITH FUSIBLE LINK

② INTEGRAL BLADE STOP HOLDS BLADES IN OPEN POSITION

③ ADJUSTING TAB

④ ADJUSTABLE MOUNTING FLANGE

⑤ 10 GA. STEEL LATTICE GRILLE WITH 13/16" SQUARE OPENINGS AND 3/16" FRET BARS. WELDED TO LOUVER CORE

### Fire Ratings (with UL and ITS classification markings):

The Model 1900-ASG is U.L. and WHI listed for use in fire doors up to 1 1/2 hour rating.

Louver size shall not exceed maximum of 576 square inches, 24 inches width and 24 height. The minimum width and height shall not be less than 10 inches and 6 inches, respectively.

Louvers may be provided for classified hollow-metal type and composite type fire doors.

Distributor: \_\_\_\_\_  
Architect: \_\_\_\_\_  
Contractor: \_\_\_\_\_

Project: \_\_\_\_\_  
Location: \_\_\_\_\_  
Date: \_\_\_\_\_