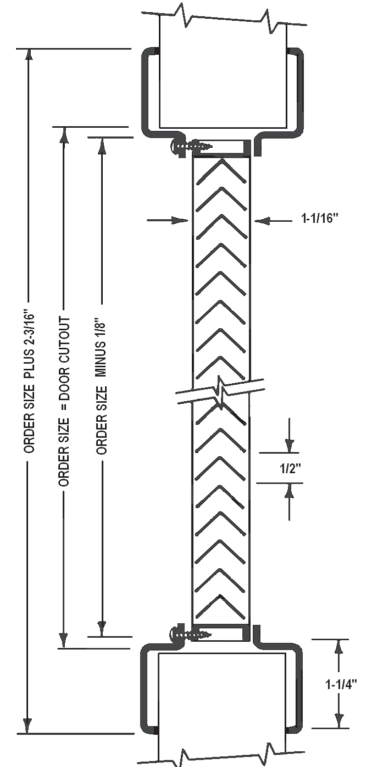


Inverted "V" With 60% Free Area Recommended for Buildings Where All-Aluminum Construction is Desired, or for Humid Environments



1300A1
Photo &
Drawing



SPECIFICATIONS:

Material:	Formed from .050 aluminum. Min size 6" x 4", Max 24" x 80".
Construction:	Louvers: "V" blades with 1/2" blade spacing are attached by interlocking construction to the 1-1/16" deep, welded frame. Frame: 1-1/4" trim, mitered and welded corners. Screws fasten through frame into louver core, leaving corridor side of frame free of fasteners.
Door:	_____ 1-3/4" - Any Style. Door cutout = order size. _____ 1 3/8"-1 3/4" - 1300CORE, 1300C, 1300A
Mounting Options:	_____ Select one mounting option from table below..
Fasteners:	#8 x 3/4" Phillips head screws.
Powder Coat Finishes:	_____ (SA) Satin Aluminum Standard _____ (B) Mineral Bronze _____ (G) Gray _____ (BK) Black _____ (FBK) Flat Black _____ (W) White _____ (SB) SC Beige _____ (R) Red _____ (S) Sand _____ (AB) AMS Beige _____ (GH) Gray Hammertone. Color Samples Online
Fasteners:	#8 x 3/4" Phillips head screws.
Free Flow Area:	60% free area.

OPTIONAL FEATURES AT AN ADDITIONAL COST:

Finish:	_____ Special order colors. Please provide color chip.
Fasteners:	_____ Torx _____ Hex head _____ Other: _____
Screen:	_____ 18x14 mesh insect screen installed in roll formed aluminum frame. _____ aluminum _____ bronze _____ fiberglass _____ stainless _____ Bird Screen.
Custom:	Custom sizes, other door thickness, other options; Contact Customer Service.

Order Format:	1300 _____
Example: 1300A11212	A,A1,CORE,C W H Optional Color

DOOR MOUNTING OPTIONS - SELECT ONE	
1300A1: Self-attaching, vandal-proof design; basic blade unit with flanged frame welded to face (corridor) side and separate removable flanged frame on opposite side; fits 1-3/4" thick doors only.	
1300 CORE : Basic blade unit only for interior doors; or as transom louver held in place with wood or metal moulding (furnished by others).	
1300C: Style Basic blade unit with single flanged frame welded to face (corridor) side; for interior or exterior doors; wood or metal moulding (by others) used on opposite side.	
1300A: Basic blade unit with flanged frame welded to face (corridor) side and separate flanged frame on opposite side; frame adjustable to fit any door thickness from 1-3/8" to 1-3/4".	

	Distributor: _____	Width: _____ x Height: _____
	Architect: _____	Quantity: _____
	Contractor: _____	Model: _____
	Project: _____	Date: _____ Version: ALSPDS1001
HDQTRS:4450 WEST 78 TH ST CIR., BLOOMINGTON, MN 55435-5416 PH: 800-554-6077 FAX: 952-835-2218 EMAIL: SALES@AIRLOUVERS.COM VISIT WWW.ACTIVARCPG.COM FOR THE MOST UPDATED PRODUCT INFORMATION • AN ACTIVAR CONSTRUCTION PRODUCTS COMPANY ACPG WEST COAST (AIR LOUVERS MANUFACTURING):COMMERCE CA • WAREHOUSES:LANCASTER PA, ATLANTA GA, CHICAGO IL , Bloomington MN		