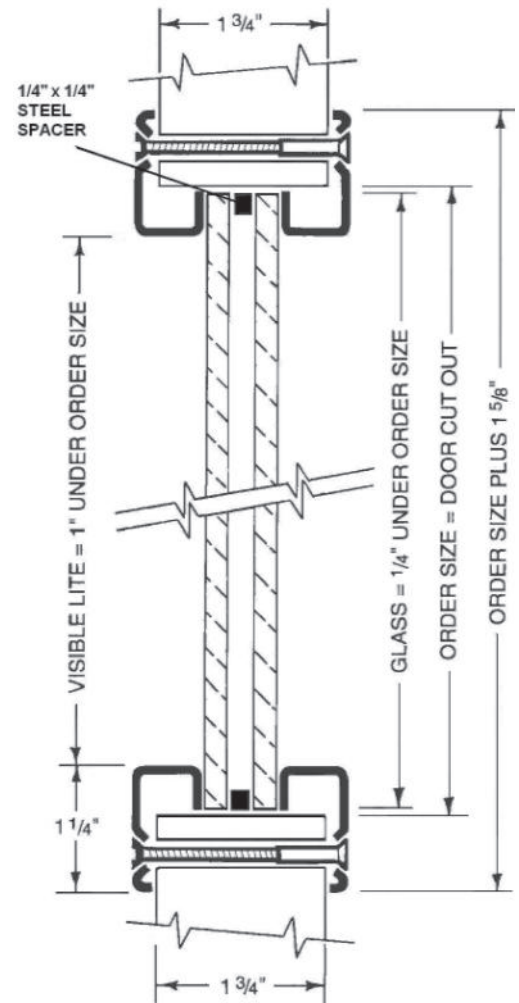
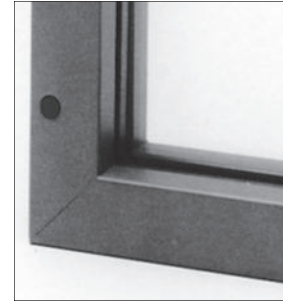


Recommended for Applications Where Two Lites of Glass are Required

SPECIFICATIONS:

Material:	18 gauge CRS frame. Min Size 3" x 3", max size 60" x 104".
Construction:	1-1/4" trim with mitered and welded corners, square return with countersunk mounting holes, 1/4" x 1/4" continuous steel spacer provided.
Door:	For 1-3/4" door.
Fasteners:	#8 x 32 Phillips head thru bolts with blank head one side.
Powder Coat Finishes:	<input type="checkbox"/> (B) Mineral Bronze (standard color) <input type="checkbox"/> (G) Gray Primer <input type="checkbox"/> (BK) Black <input type="checkbox"/> (FBK) Flat Black <input type="checkbox"/> (W) White <input type="checkbox"/> (SB) SC Beige <input type="checkbox"/> (SA) Satin Aluminum <input type="checkbox"/> (R) Red <input type="checkbox"/> (S) Sand <input type="checkbox"/> (AB) AMS Beige <input type="checkbox"/> (GH) Gray Hammertone Color Samples Online
Glass:	3/16"- 1/4" glazing to be ordered separately from Glazing Section of catalog. Visible light is 2" under rough opening size. Glass is 1/4" under order size. Air Louvers Glazing to fit this Product: WS, UL, KFRF, PPF, PYRO.
Fire-Rating, Testing & Listings:	When installed in properly rated and approved door, ratings up to 3 hours can be achieved, depending on the glazing used. See glazing ratings for max exposed area. Tested and Listed for UL 10C and Criteria of UBC 7-2 Positive Pressure.



OPTIONS AT ADDITIONAL COST:

UBC 7-2 Installation:	<input type="checkbox"/> Additional intumescent tape for Positive Pressure UL10C 20 minute combustible core wood doors installation. See detailed installation instructions.
Finishes & Materials:	<input type="checkbox"/> (S) 18 Gauge Stainless Steel: #4 Finish. <input type="checkbox"/> (G) Galvanized Sheet for Exterior Applications. <input type="checkbox"/> (EG) Electro Zinc Plating for Maximum Corrosion Resistance. <input type="checkbox"/> Optional colors. Please provide color chip to Customer Service.
Mullions:	Factory welded to vision lite & painted. See VSL-G Page in this section to order.
Fasteners:	<input type="checkbox"/> Torx <input type="checkbox"/> Hex head <input type="checkbox"/> Other: _____
Custom:	PAK, smaller or larger sizes, leadlined. Consult Customer Service for Special Orders.

Order Format: VLFDG

Option S,G,EG W H Color

Example: VLFDG 1212 B

Interpretation of Fire and Building Codes May Vary. Consult with the Local Authority Having Jurisdiction (AHJ) to determine appropriate standards.

	Distributor: _____	Width: _____ x Height: _____
	Architect: _____	Quantity: _____
	Contractor: _____	Model: _____
	Project: _____	Date: _____ Version: ALSPDS1001
<p>HDQTRS:4450 WEST 78TH ST CIR., BLOOMINGTON, MN 55435-5416 PH: 800-554-6077 FAX: 952-835-2218 EMAIL: SALES@AIRLOUVERS.COM VISIT WWW.ACTIVARCPG.COM FOR THE MOST UPDATED PRODUCT INFORMATION • AN ACTIVAR CONSTRUCTION PRODUCTS COMPANY ACPG WEST COAST (AIR LOUVERS MANUFACTURING):COMMERCE CA • WAREHOUSES:LANCASTER PA, ATLANTA GA, CHICAGO IL , Bloomington MN</p>		